

NPA

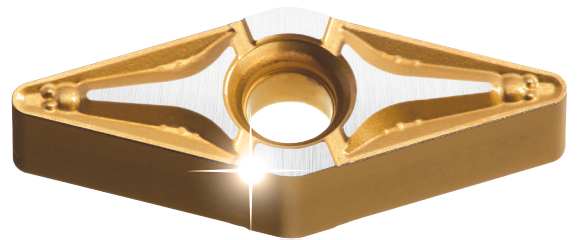
March 2015
www.taegutec.com

New Product Announcement No. 2015-10



RHINO-RUSH

New VNMX Inserts and Holders



New Product Announcement No. 2015-10

RHINO-RUSH

TaeguTec is pleased to add a new line of inserts and holders to the RHINORUSH family.

RHINORUSH, which is known for its smaller more robust double-sided design, is introducing a “V” type 1304 insert that enables excellent chip breaking performance on a various range of turning applications.

The **VNMX 1304** chip breaker is now available in FS, FG, FM, MK, PC and MT types.

The new range of holders includes improved clamping systems that enhance rigidity and stability required in high MRR operations. The improved clamping systems cover Hook lever, T-Holder and Screw type holders.

The new **VNMX 1304** insert line coupled with the holder’s clamping systems and extended turning range provides end-users in external turning and boring applications, the same productivity and economy now enjoyed by current RHINORUSH customers.

FEATURES

Inserts

- Available in several chip breaker types : FS/FG/FM/MK/PC/MT

Holders

- Clamping types:
 - Hook lever type
 - T-holder type
 - Screw type

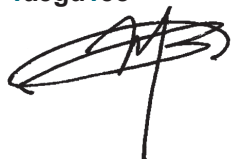
Availability

In stock

Price

Available in the GAL system

Sincerely,
TaeguTec



Park Hong-sik

Rotating & Non-Rotating Product Manager

Sincerely,
TaeguTec

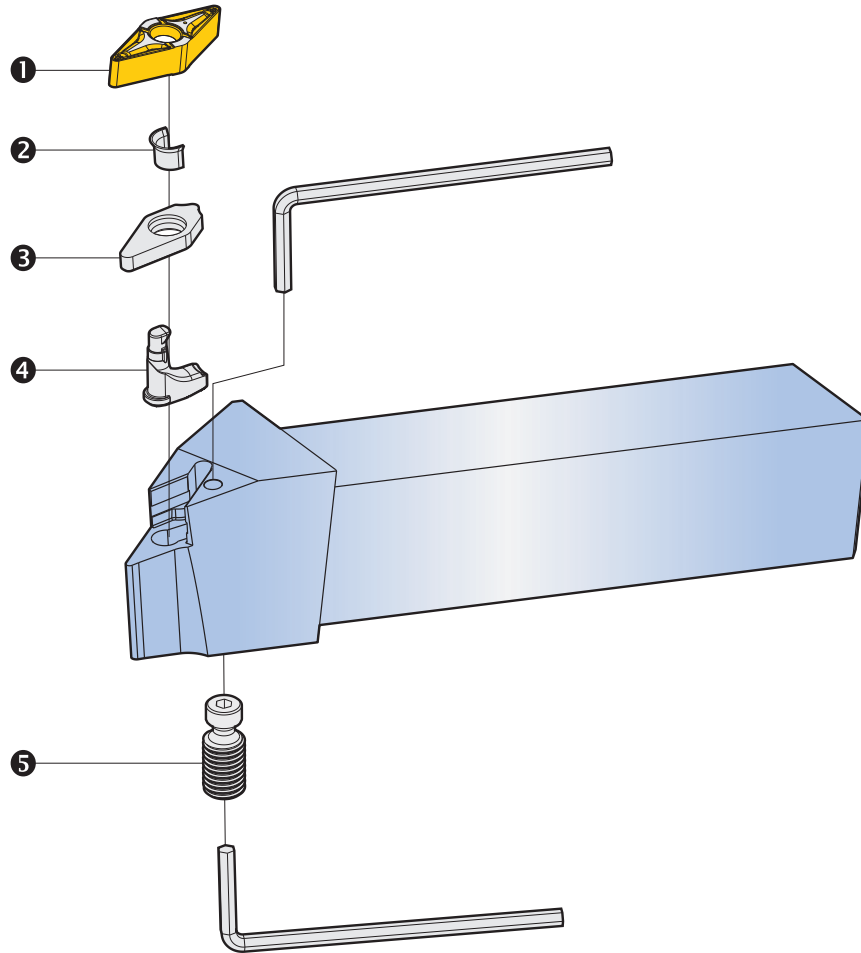


Cho Ho-hyun

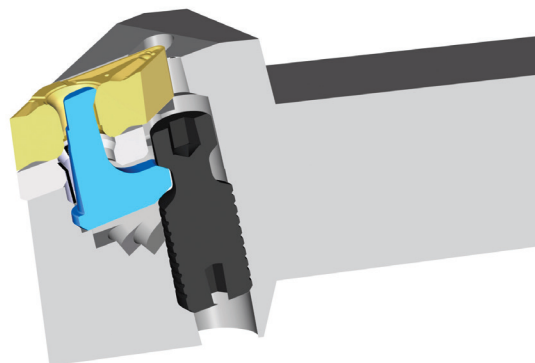
Turning Product Manager

Hook lever clamping system of the VNMX 1304

Clamping from the holder's top and bottom face

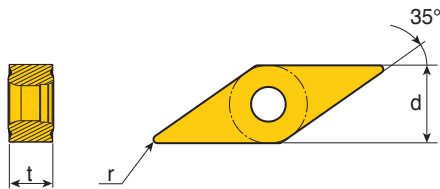


- ① Insert
- ② Shim Pin
- ③ Shim
- ④ Hook Lever
- ⑤ Screw




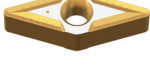




VNMX

Negative 35° rhombic inserts



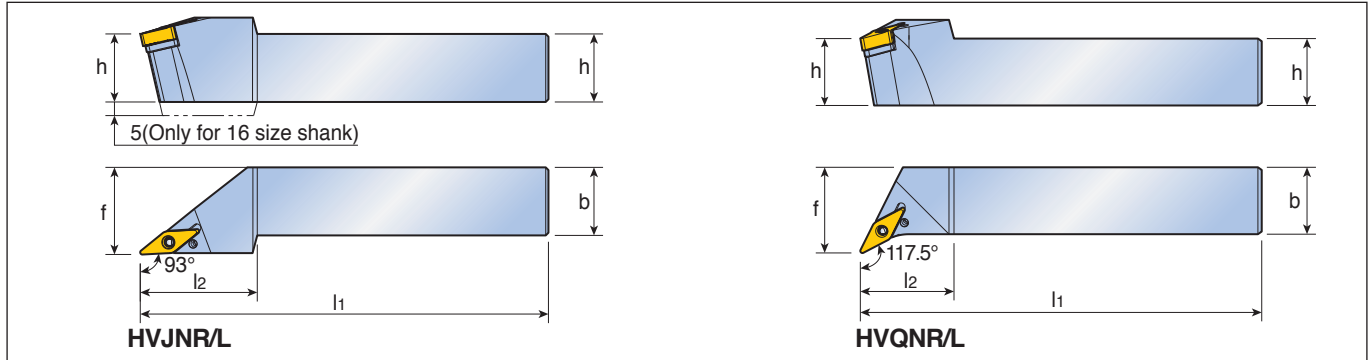
Size	Dimension (mm)		
	d	t	r
13	7.94	4.76	0.2-1.2

Insert	Designation	Feed (mm/rev)	ap (mm)	Cermet		CVD Coated								PVD coated		
				PV3010	CT3000	TT7005	TT7015	TT8115	TT8125	TT8135	TT9215	TT9225	TT9235	TT5100	TT5080	TT9080
	VNMX 130404 FG	0.08-0.20	0.5-2.0		●			●	●					●	●	●
	130408 FG	0.10-0.23	0.5-2.0		●			●	●					●	●	●
	VNMX 130404 FM	0.07-0.30	0.25-1.5		●			●	●	●				●	●	●
	130408 FM	0.10-0.35	0.3-1.5		●			●	●	●				●	●	●
	VNMX 130402 FS	0.05-0.20	0.2-1.0	●	●			●	●							
	130404 FS	0.08-0.20	0.3-1.0	●	●			●	●							
	130408 FS	0.10-0.23	0.5-1.0	●	●			●	●							
	VNMX 130404 MK	0.17-0.35	0.7-3.0									●	●		●	●
	130408 MK	0.20-0.40	1.0-3.0									●	●		●	●
	VNMX 130404 MT	0.15-0.36	0.8-3.0		●			●	●	●				●	●	●
	130408 MT	0.17-0.36	1.0-3.0		●	●	●	●	●	●				●	●	●
	130412 MT	0.20-0.40	1.5-3.0			●	●	●	●	●				●	●	●
	VNMX 130404 PC	0.15-0.36	0.4-3.0					●	●	●				●	●	●
	130408 PC	0.17-0.36	0.5-3.0					●	●	●				●	●	●
	130412 PC	0.20-0.40	1.0-3.0					●	●	●				●	●	●

● : Standard items

HVJNR/L HVQNR/L

Hook lever type



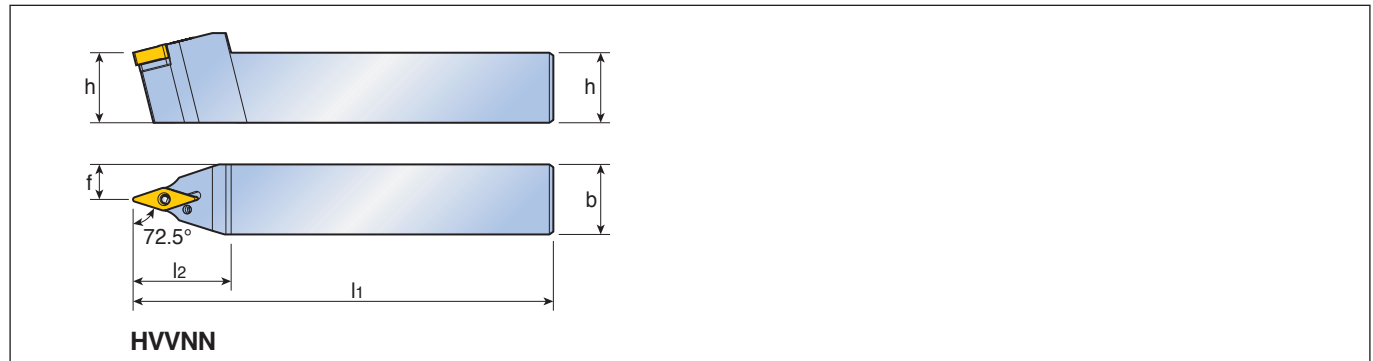
Approach angle	Designation	Dimension (mm)					Insert	
		h	b	l1	l2	f		
93° 	HVJNR/L 1616 H1304	16	16	100	30	20	VN...X 1304...	
	2020 K1304	20	20	125	35	25		
	2525 M1304	25	25	150	43	32		
117.5° 	HVQNR/L 2020 K1304	20	20	125	35	25		
	2525 M1304	25	25	150	35	32		

Spare parts

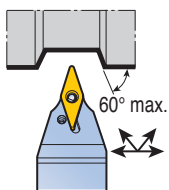
Designation	Lever	Screw	Shim	Shim pin	Wrench
...1304	LCL 08-NX	LCS 4-DH	LSV 2.51.8H	LSP 3B	L-W 2.5

HVVNN

Hook lever type



Approach angle	Designation	Dimension (mm)					Insert
		h	b	l1	l2	f	
72.5°	HVVNN 2020 K1304	20	20	125	35	10	VN...X 1304...
	2525 M1304	25	25	150	35	12.5	

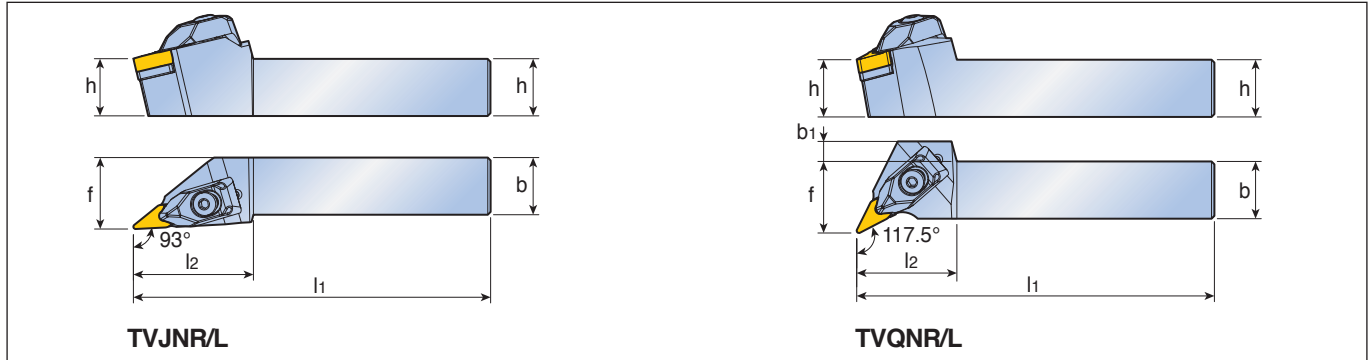


Spare parts

Designation	Lever	Screw	Shim	Shim pin	Wrench
...1304	LCL 08-NX	LCS 4-DH	LSV 2.51.8H	LSP 3B	L-W 2.5

TVJNR/L TVQNR/L

T-holder type



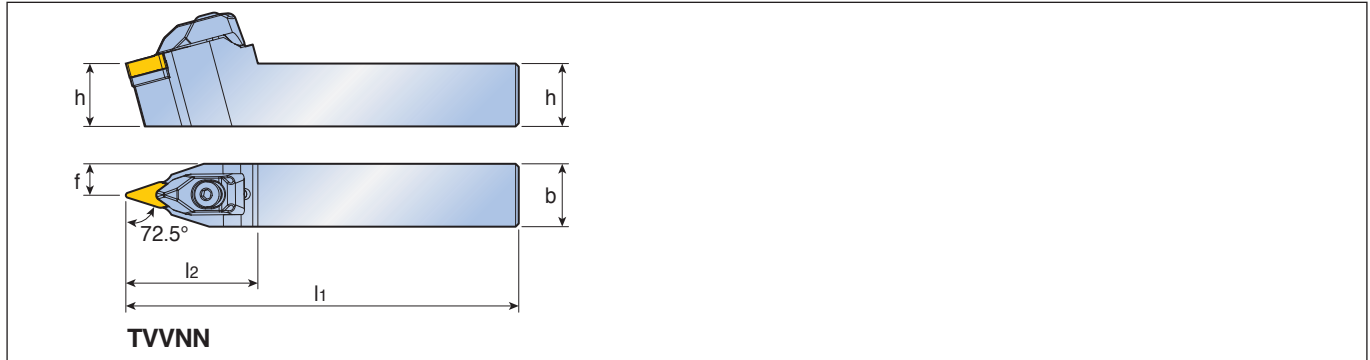
Approach angle	Designation	Dimension (mm)						Insert
		h	b	l ₁	l ₂	f	b ₁	
93° 	TVJNR/L 2020 K1304	20	20	125	42	25	-	VN...X 1304...
	2525 M1304	25	25	150	42	32	-	
117.5° 	TVQNR/L 2020 K1304	20	20	125	35	25	7	
	2525 M1304	25	25	150	35	32	-	

Spare parts

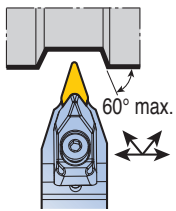
Designation	Clamp	Clamp screw	Shim	Shim screw	Spring	Wrench	
...1304	DLM 2.5V-NX	DLS 4	MSVI 2.522	SO 40085I	DSP 4	L-W 4	T 15

TVVNN

T-holder type



Approach angle	Designation	Dimension (mm)					Insert
		h	b	l1	l2	f	
72.5°	TVVNN 2020 K1304	20	20	125	42	10	VN...X 1304...
	2525 M1304	25	25	150	42	12.5	

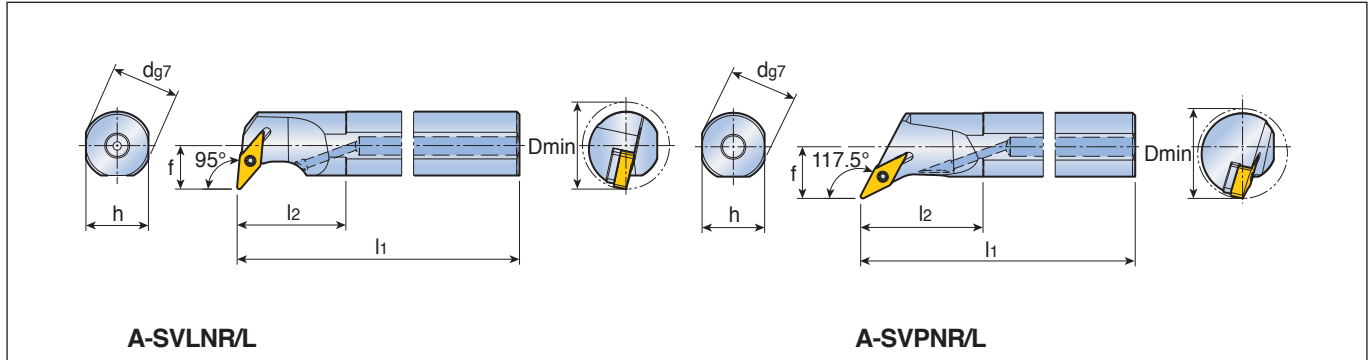


Spare parts

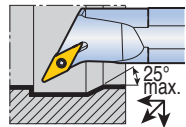
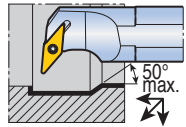
Designation	Clamp	Clamp screw	Shim	Shim screw	Spring	Wrench	
...1304	DLM 2.5V-NX	DLS 4	MSVI 2.522	SO 40085I	DSP 4	L-W 4	T 15

A-SVLNR/L A-SVPCR/L

Screw type



Approach angle	Designation	Dimension (mm)						Insert
		dg7	h	l1	l2	f	Dmin	
95°	A25T SVLNR/L 1304	25	23	300	40	16	31	VN...X 1304...
	A32T SVLNR/L 1304	32	30	300	45	20	38	
117.5°	A25T SVPCR/L 1304	25	23	300	45	19	33	
	A32T SVPCR/L 1304	32	30	300	47	26	44	



Spare parts

Designation	Screw	Shim	Shim screw	Wrench	
...1304	TS 30120I/HG	SSVN 2.523	TS 5030062S	L-W 3.5	T 9(T-9/5)