

NEW PRODUCT NEWS

RHINO•RUSH



T-holder Clamping System



RHINO•RUSH

T-holder clamping system

FEATURES

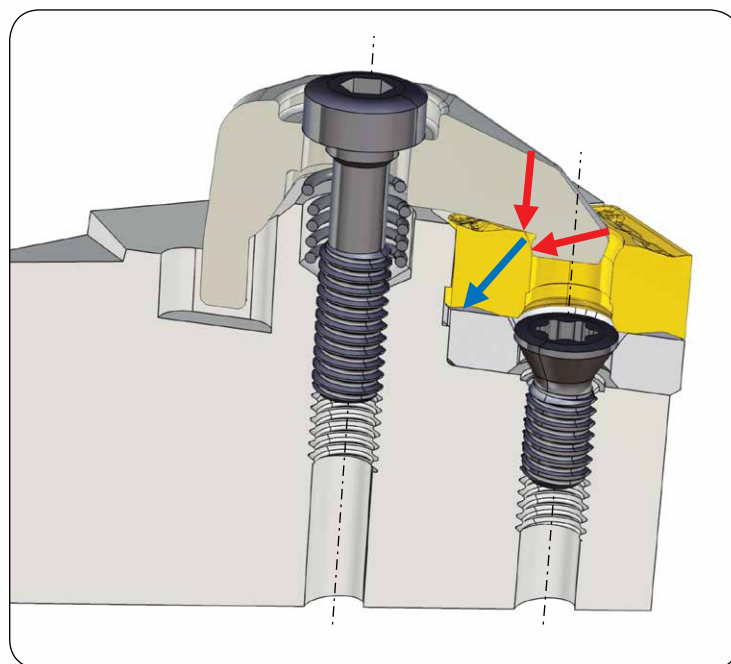
- Easy to mount insert on the holder
- Enhanced rigidity due to double clamping force design
- Stability and longer tool life
 - Exceptional performance in interrupted cutting
 - High feed rate machining

The RHINORUSH line has been expanded to include a T-holder clamping system.

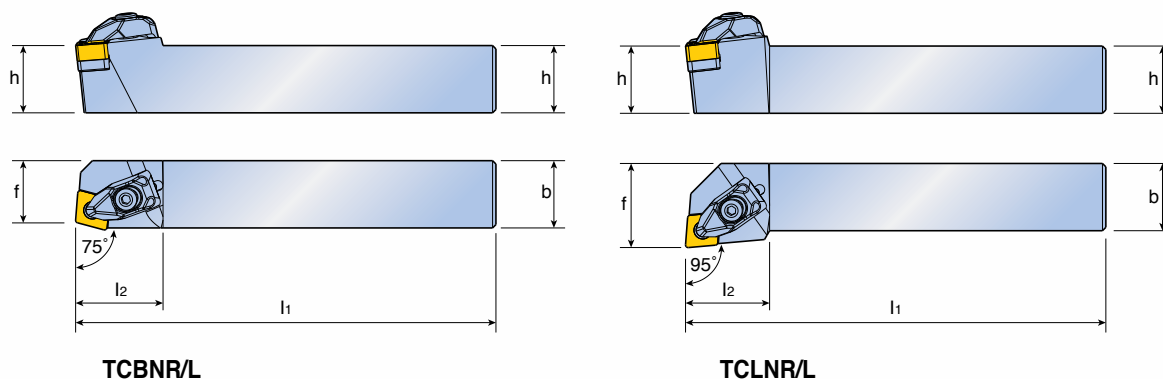
Widely known for its simplified mounting design and rigid clamping system, the RHINORUSH T-holder demonstrates superior stability for turning applications.

Another design feature, perfectly suited for interrupted cutting, is its remarkable clamping strength credit to an optimized clamp shape that creates double clamping forces for rigid clamping and prolonged tool life.

The RHINORUSH T-holder line includes external holders, boring bars as well as through coolant type boring bars.



RHINORUSH T-holder



TCBNR/L

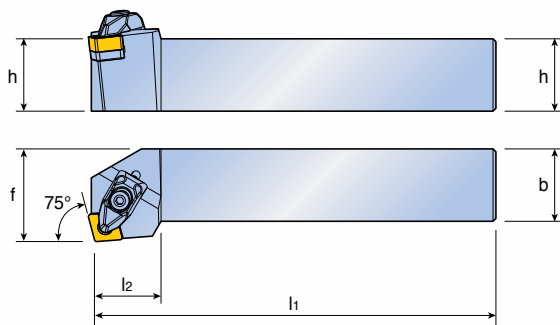
TCLNR/L

	Designation	Dimension (mm)					Insert
		h	b	l1	l2	f	
	TCBNR/L 2020 K0904	20	20	125	26	18.5	CNMG 0904...
	2525 M0904	25	25	150	26	23.5	
	TCLNR/L 2020 H0904	20	20	100	25	25	
	2020 K0904	20	20	125	25	25	
	2525 M0904	25	25	150	25	32	

Spare parts

Designation	Clamp	Clamp screw	Shim	Shim screw	Spring	Wrench	
...0904	DLM 3-NX	DLS 3	LSC 32A	SO 40085I	DSP 3	L-W 2.5	T 15

RHINORUSH T-holder



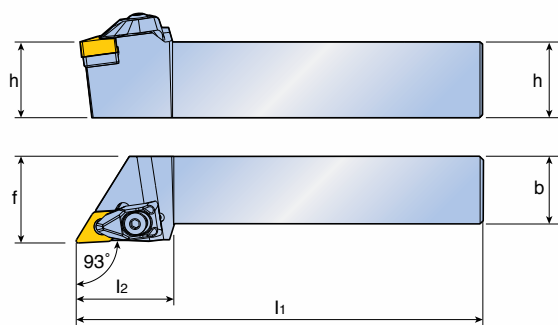
TCKNR/L

	Designation	Dimension (mm)					Insert
		h	b	l1	l2	f	
	TCKNR/L 2525 M0904	25	25	150	23	32	CNMG 0904...

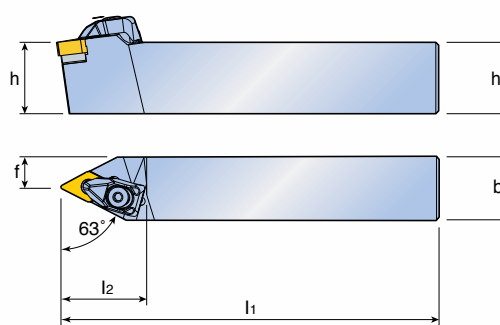
Spare parts

Designation	Clamp	Clamp screw	Shim	Shim screw	Spring	Wrench	
...0904	DLM 3-NX	DLS 3	LSC 32A	SO 40085I	DSP 3	L-W 2.5	T 15

RHINORUSH T-holder



TDJNR/L



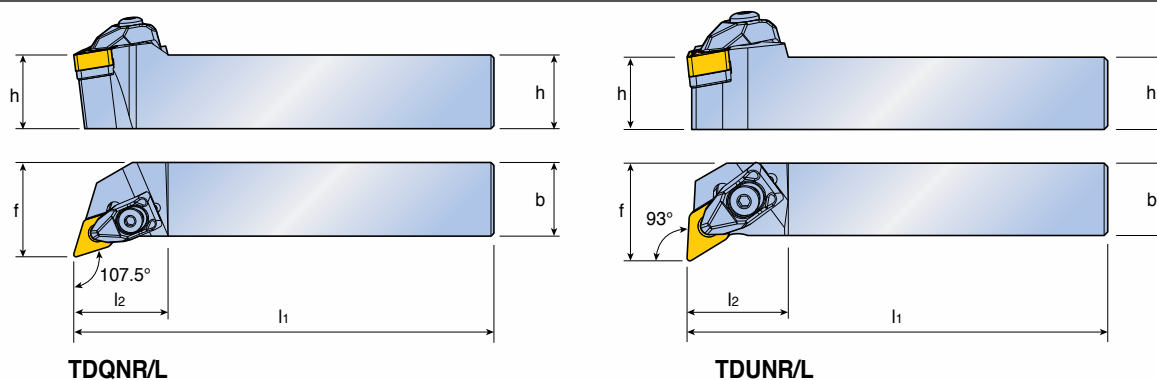
TDNNR/L

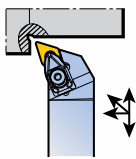
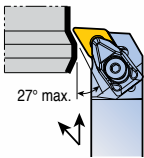
	Designation	Dimension (mm)					Insert
		h	b	l1	l2	f	
	TDJNR/L 2020 H1305	20	20	100	33	25	DNMG 1305...
	2020 K1305	20	20	125	33	25	
	2525 M1305	25	25	150	36	32	
	TDNNR/L 2020 K1305	20	20	125	34	10	
	2525 M1305	25	25	150	34	12.5	

Spare parts



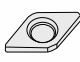




Designation	Clamp	Clamp screw	Shim	Shim screw	Spring	Wrench	
...1305	DLM 3.5-NX	DLS 4	LSD 3.52	SO 50090I	DSP 4	L-W 3	T 20

RHINORUSH T-holder

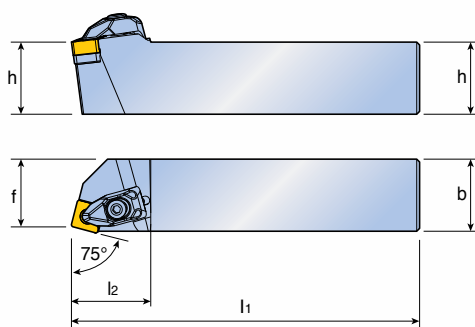


	Designation	Dimension (mm)					Insert
		h	b	l1	l2	f	
	TDQNR/L 2020 K1305	20	20	125	32	25	DNMG 1305...
	2525 M1305	25	25	150	32	32	
	TDUNR/L 2020 K1305	20	20	125	28	27	DNMG 1305...
	2525 M1305	25	25	150	28	32	

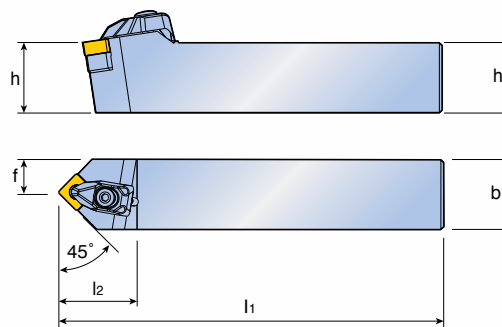
Spare parts

Designation	Clamp	Clamp screw	Shim	Shim screw	Spring	Wrench	
...1305	 DLM 3.5-NX	 DLS 4	 LSD 3.52	 SO 500901	 DSP 4	 L-W 3	 T 20

RHINORUSH T-holder



TSBNR/L



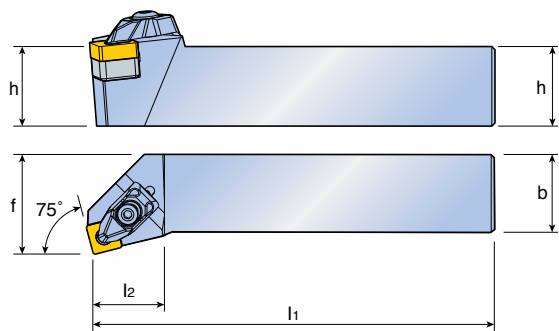
TSDNN

	Designation	Dimension (mm)					Insert
		h	b	l1	l2	f	
	TSBNR/L 2020 K0904	20	20	125	27.5	18.5	SNMG 0904...
	2525 M0904	25	25	150	27.5	23.5	
	TSDNN 2020 K0904	20	20	125	28	10	
	2525 M0904	25	25	150	28	12.5	

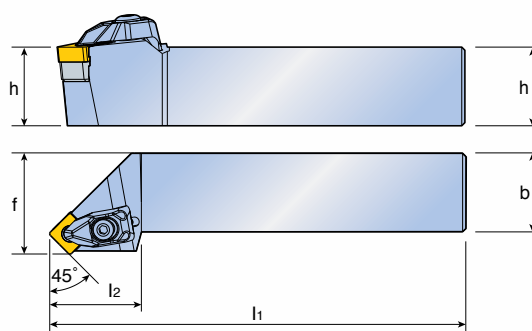
Spare parts

Designation	Clamp	Clamp screw	Shim	Shim screw	Spring	Wrench	
...0904	DLM 3-NX	DLS 3	LSS 32A	SO 40085I	DSP 3	L-W 2.5	T 15

RHINORUSH T-holder



TSKNR/L



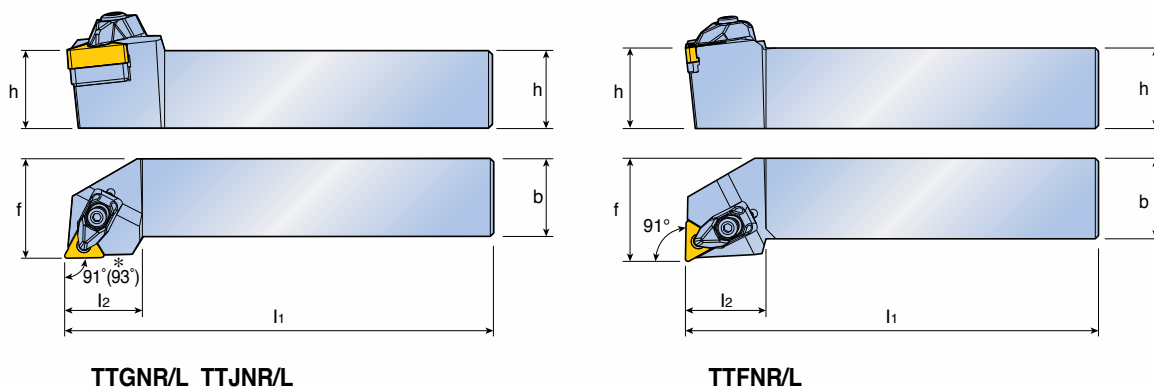
TSSNR/L

	Designation	Dimension (mm)					Insert
		h	b	l1	l2	f	
	TSKNR/L 2020 K0904	20	20	125	23	25	SNMG 0904...
	2525 M0904	25	25	150	23	32	
	TSSNR/L 2020 K0904	20	20	125	29	25	SNMG 0904...
	2525 M0904	25	25	150	29	32	

Spare parts

Designation	Clamp	Clamp screw	Shim	Shim screw	Spring	Wrench	
...0904	DLM 3-NX	DLS 3	LSS 32A	SO 40085I	DSP 3	L-W 2.5	T 15

RHINORUSH T-holder



TTGNR/L TTJNR/L

TTFNR/L

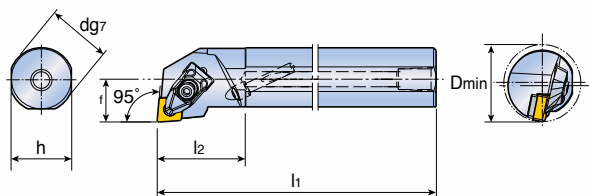
	Designation	Dimension (mm)					Insert
		h	b	l1	l2	f	
	TTGNR/L 2020 H1304	20	20	100	25	25	TNMG 1304...
	2020 K1304	20	20	125	25	25	
	2525 M1304	25	25	150	25	32	
	TTJNR/L 2525 M1304	25	25	150	25	32	
	TTFNR/L 2020 K1304	20	20	125	25	25	
	2525 M1304	25	25	150	25	32	

• *Approach angle of TTJNR/L is 93°

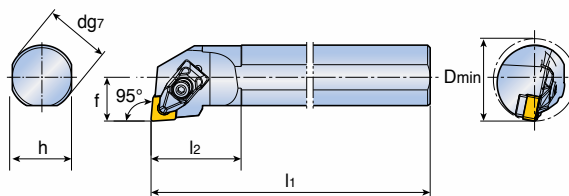
Spare parts

Designation	Clamp	Clamp screw	Shim	Shim screw	Spring	Wrench	
...1304	DLM 2.5-NX	DLS 3	LST 2.52	SO 40085I	DSP 3	L-W 2.5	T 15

RHINORUSH T-holder



A-TCLNR/L



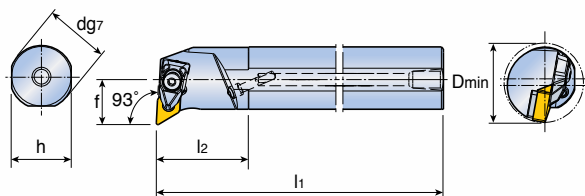
S-TCLNR/L

	Designation	Dimension (mm)							Insert
		dg7	h	l1	l2	f	Dmin		
	A25R TCLNR/L 0904	25	23	200	35	17	32	CNMG 0904...	
	A32S TCLNR/L 0904	32	30	250	35	22	40		
	S25R TCLNR/L 0904	25	23	200	35	17	32		
	S32S TCLNR/L 0904	32	30	250	35	22	40		
	S40T TCLNR/L 0904	40	37	300	45	27	50		

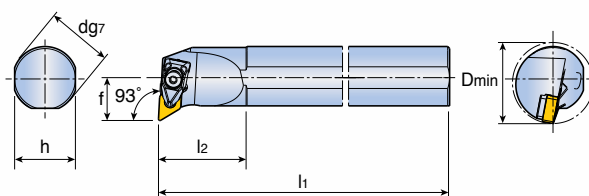
Spare parts

Designation	Clamp	Clamp screw	Shim	Shim screw	Spring	Nozzle	Wrench	
A25R ...0904	DLM 3-NX	DLS 3	LSC 32	SO 40073I	DSP 3	NZ 62	L-W 2.5	T 15
A32S ...0904	DLM 3-NX	DLS 3	LSC 32	SO 40085I	DSP 3	NZ 62	L-W 2.5	T 15
S25R...0904	DLM 3-NX	DLS 3	LSC 32	SO 40073I	DSP 3	-	L-W 2.5	T 15
S32S,S40T...0904	DLM 3-NX	DLS 3	LSC 32	SO 40085I	DSP 3	-	L-W 2.5	T 15

RHINORUSH T-holder



A-TDUNR/L



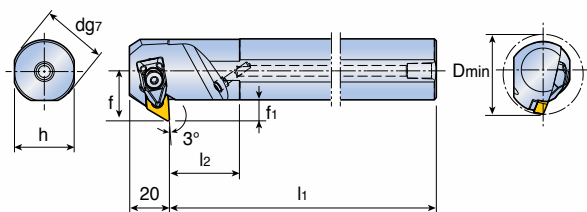
S-TDUNR/L

	Designation	Dimension (mm)						Insert	
		dg7	h	l1	l2	f	Dmin		
	A32S TDUNR/L 1305	32	30	250	45	22	40	DNMG 1305...	
	A40T TDUNR/L 1305	40	37	300	55	27	50		
	S32S TDUNR/L 1305	32	30	250	45	22	40		
	S40T TDUNR/L 1305	40	37	300	55	27	50		

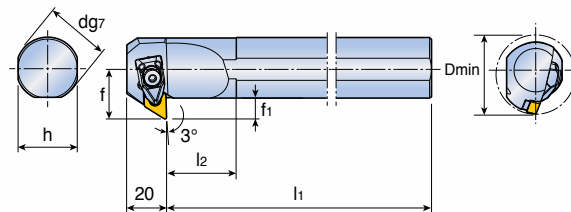
Spare parts

Designation	Clamp	Clamp screw	Shim	Shim screw	Spring	Nozzle	Wrench	
A32S...1305	DLM 3.5-NX	DLS 4	LSD 3.52B	TS 50A105I	DSP 4	NZ 62	L-W 3	T 20
A40T...1305	DLM 3.5-NX	DLS 4	LSD 3.52B	TS 50A105I	DSP 4	NZ 104	L-W 3	T 20
S...1305	DLM 3.5-NX	DLS 4	LSD 3.52B	TS 50A105I	DSP 4	-	L-W 3	T 20

RHINORUSH T-holder



A-TDZNR/L



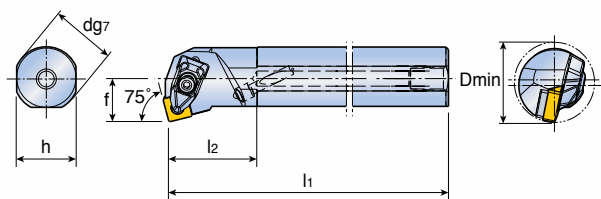
S-TDZNR/L

	Designation	Dimension (mm)								Insert
		dg7	h	l1	l2	f	f1	Dmin		
	A32S TDZNR/L 1305	32	30	250	35	25	10.5	45	DNMG 1305...	
	A40T TDZNR/L 1305	40	37	300	40	29	10.5	50		
	S32S TDZNR/L 1305	32	30	250	35	25	10.5	45	DNMG 1305...	
	S40T TDZNR/L 1305	40	37	300	40	29	10.5	50		

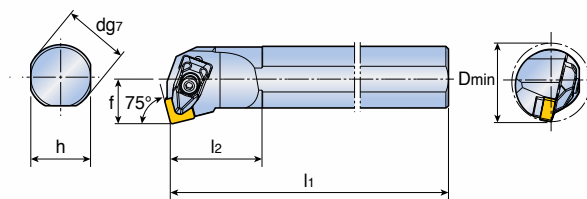
Spare parts

Designation	Clamp	Clamp screw	Shim	Shim screw	Spring	Nozzle	Wrench	
A32S...1305	DLM 3.5-NX	DLS 4	LSD 3.52B	TS 50A105I	DSP 4	NZ 62	L-W 3	T 20
A40T...1305	DLM 3.5-NX	DLS 4	LSD 3.52B	TS 50A105I	DSP 4	NZ 104	L-W 3	T 20
S...1305	DLM 3.5-NX	DLS 4	LSD 3.52B	TS 50A105I	DSP 4	-	L-W 3	T 20

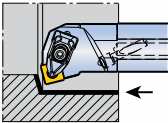
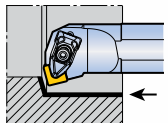
RHINORUSH T-holder



A-TSKNR/L



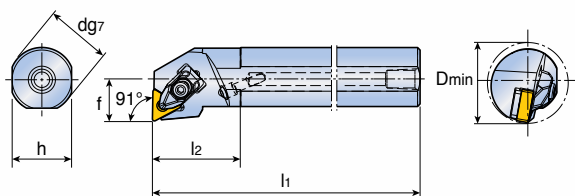
S-TSKNR/L

	Designation	Dimension (mm)							Insert
		dg7	h	l1	l2	f	Dmin		
	A25R TSKNR/L 0904	25	23	200	35	17	32	SNMG 0904...	
	A32S TSKNR/L 0904	32	30	250	35	22	40		
	S25R TSKNR/L 0904	25	23	200	35	17	32		
	S32S TSKNR/L 0904	32	30	250	35	22	40		

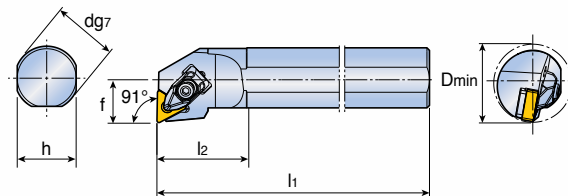
Spare parts

Designation	Clamp	Clamp screw	Shim	Shim screw	Spring	Nozzle	Wrench	
A25R...0904	DLM 3.5-NX	DLS 3	LSS 32	SO 40073I	DSP 3	NZ 62	L-W 2.5	T 15
A32S...0904	DLM 3.5-NX	DLS 3	LSS 32	SO 40085I	DSP 3	NZ 62	L-W 2.5	T 15
S25R...0904	DLM 3.5-NX	DLS 3	LSS 32	SO 40073I	DSP 3	-	L-W 2.5	T 15
S32S...0904	DLM 3.5-NX	DLS 3	LSS 32	SO 40085I	DSP 3	-	L-W 2.5	T 15

RHINORUSH T-holder



A-TTFNR/L



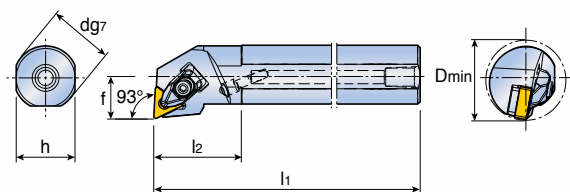
S-TTFNR/L

	Designation	Dimension (mm)							Insert
		dg7	h	l1	l2	f	Dmin		
	A25R TTFNR/L 1304	25	23	200	35	17	32	TNMG 1304...	
	A32S TTFNR/L 1304	32	30	250	35	22	40		
	S25R TTFNR/L 1304	25	23	200	35	17	32	TNMG 1304...	
	S32S TTFNR/L 1304	32	30	250	35	22	40		

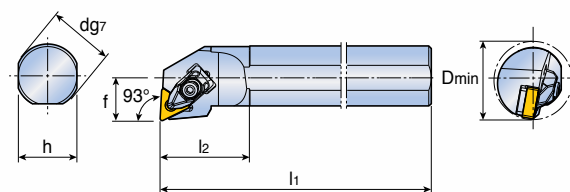
Spare parts

Designation	Clamp	Clamp screw	Shim	Shim screw	Spring	Nozzle	Wrench	
A25R...1304	DLM 2.5-NX	DLS 3	LST 2.52B	SO 40073I	DSP 3	NZ 62	L-W 2.5	T 15
A32S...1304	DLM 2.5-NX	DLS 3	LST 2.52B	SO 40085I	DSP 3	NZ 62	L-W 2.5	T 15
S25R...1304	DLM 2.5-NX	DLS 3	LST 2.52B	SO 40073I	DSP 3	-	L-W 2.5	T 15
S32S...1304	DLM 2.5-NX	DLS 3	LST 2.52B	SO 40085I	DSP 3	-	L-W 2.5	T 15

RHINORUSH T-holder



A-TTUNR/L



S-TTUNR/L

	Designation	Dimension (mm)						Insert
		dg7	h	l1	l2	f	Dmin	
	A25R TTUNR/L 1304	25	23	200	35	17	32	TNMG 1304...
	A32S TTUNR/L 1304	32	30	250	35	22	40	
	S25R TTUNR/L 1304	25	23	200	35	17	32	TNMG 1304...
	S32S TTUNR/L 1304	32	30	250	35	22	40	

Spare parts

Designation	Clamp	Clamp screw	Shim	Shim screw	Spring	Nozzle	Wrench	
A25R...1304	DLM 2.5-NX	DLS 3	LST 2.52B	SO 40073I	DSP 3	NZ 62	L-W 2.5	T 15
A32S...1304	DLM 2.5-NX	DLS 3	LST 2.52B	SO 40085I	DSP 3	NZ 62	L-W 2.5	T 15
S25R...1304	DLM 2.5-NX	DLS 3	LST 2.52B	SO 40073I	DSP 3	-	L-W 2.5	T 15
S32S...1304	DLM 2.5-NX	DLS 3	LST 2.52B	SO 40085I	DSP 3	-	L-W 2.5	T 15