

# NEW PRODUCT NEWS

## T-HOLDER



### New Combi Clamp T-holder Line for Ceramic Inserts



# T-HOLDER

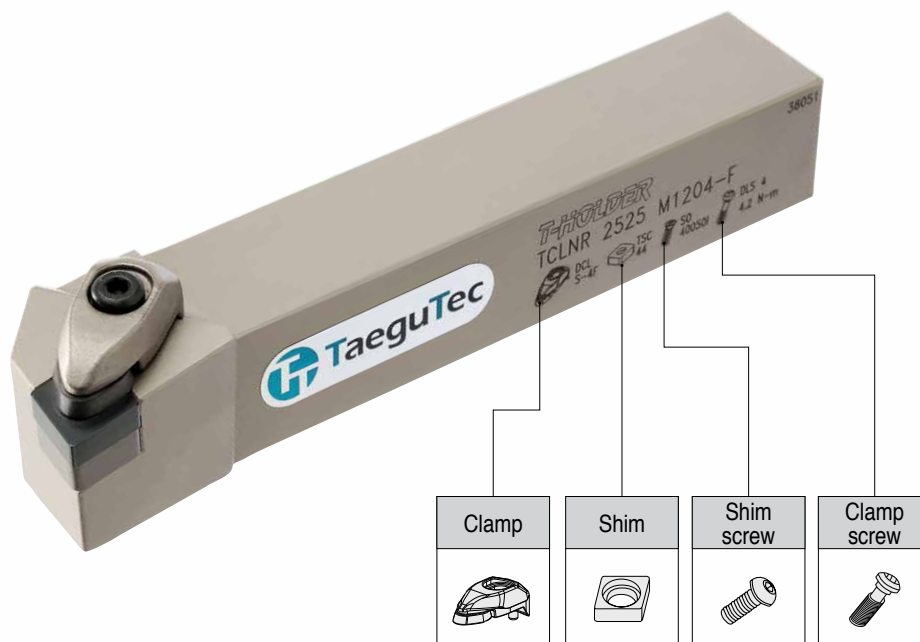
## New combi clamp T-holder line for ceramic inserts

TaeguTec is giving the T-holder line for ceramic inserts a make-over.

The existing exclusive holder has been replaced by a new T-holder that mounts a combi clamp for effective and economical machining.

Compared to the current line of ceramic holders, the new economical T-holder system can mount inserts that have different thicknesses, hence covering more applications with a single holder.

Moreover, it is designed to be stronger and more stable over the existing combi clamp model as the contact area between the insert and the clamp has been increased for improved machining performance.



## Features

- Conventional clamps need to be replaced when broken due to the brazing of the carbide plate to the clamp.

Conventional clamp



Once the carbide plate is broken,  
the whole clamp needs to be replaced.

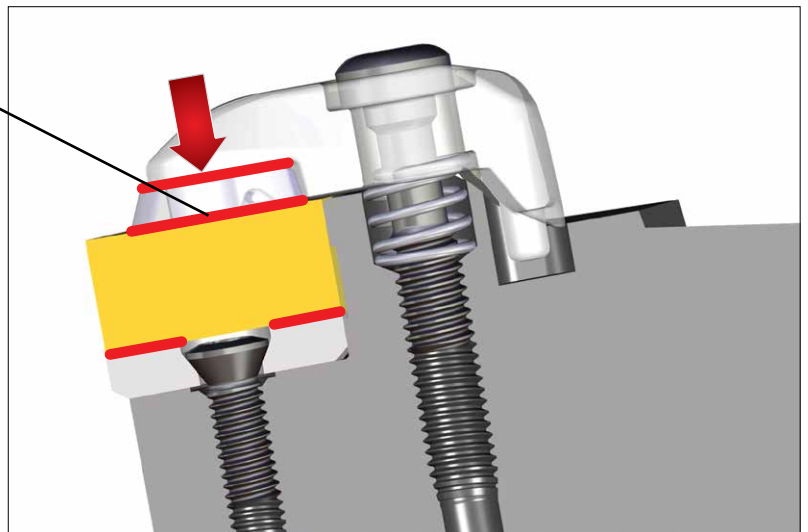
Combi clamp



Changing the carbide plate is possible.

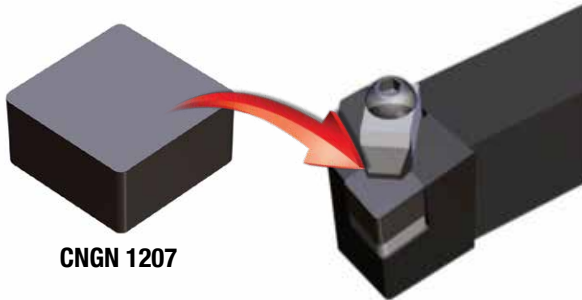
- The gap between the plate and the clamp's adjusting design in the insert's contact area enhances the overall strength with a stable joint force.

Wider contact area than conventionally  
designed ceramic holder.



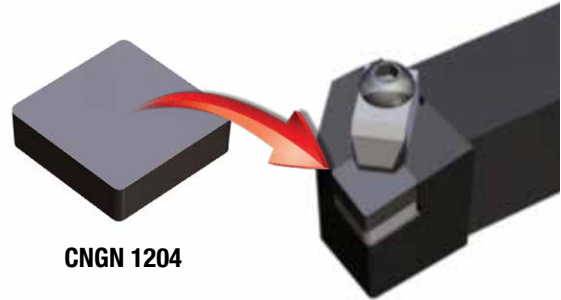
- The combi clamp's carbide plate demonstrates better wear resistance over conventional metal clamps when machining cast iron. The new holders allow for the mounting of inserts with different thicknesses as well as insert types on one T-holder standard body.

### Conventional tool holder system for ceramic inserts



CNGN 1207

CCLNR 2525 M12-CE



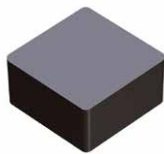
CNGN 1204

CCLNR 2525 M12-CEA

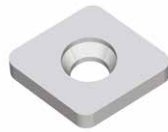
Mounting different insert types requires changing tool bodies.

VS

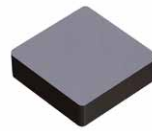
### Combi clamp T-holder system for ceramic inserts



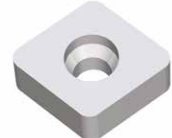
CNGN 1207



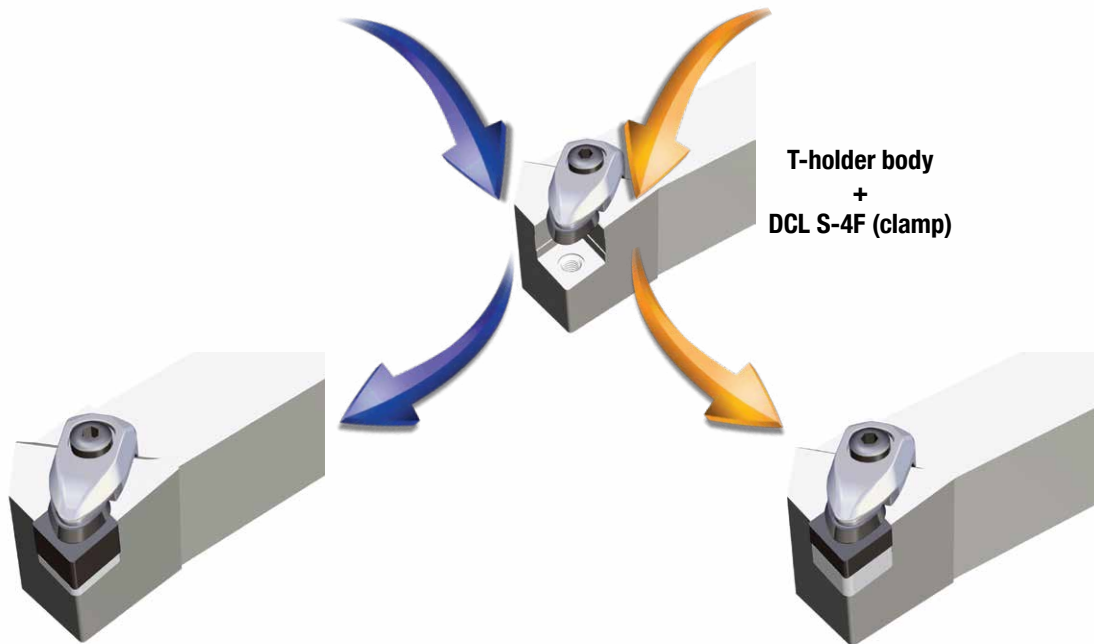
Shim: TSC 42



CNGN 1204



Shim: TSC 44



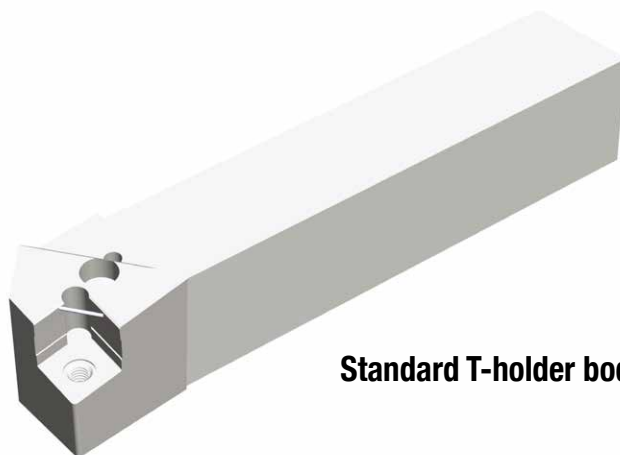
T-holder body  
+  
DCL S-4F (clamp)

TCLNR 2525 M1207-F

TCLNR 2525 M1204-F

Changing only the shim means being able to mount different insert types (thickness, type).

- By changing only the combi clamp, the new combi clamp T-holder can mount flat type, hole type and dimple type inserts on the same holder.



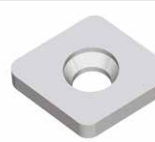
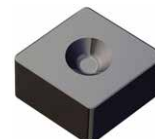
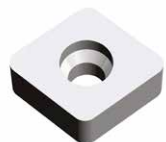
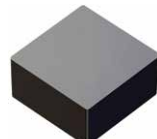
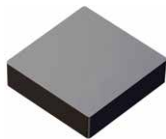
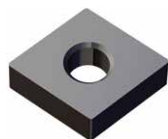
DCL S-4H



DCL S-4F



DCL S-4D



CN□A 1204  
Insert with hole type

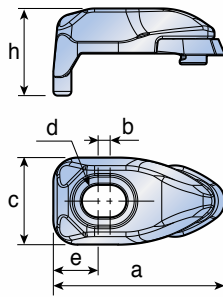


CN□N 1204/1207  
Insert with flat type

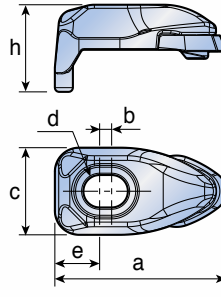


CN□X 1207  
Insert with TaeguTec dimple type

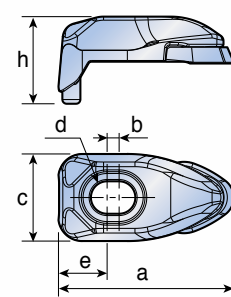
# Clamp



DCL S-4H



DCL S-4D

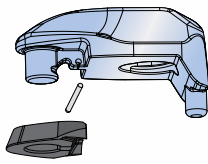


DCL S-3F  
DCL S-4F

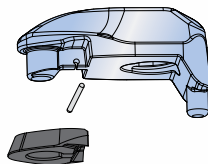
Designation	Dimensions (mm)					
	a	b	c	d	e	h
<b>DCL S-4H</b>	28.5	2	14.5	5.4	7.45	14.5
<b>DCL S-4D</b>	28.5	2	14.5	5.4	7.45	14.5
<b>DCL S-3F</b>	23.2	1.5	11	4.2	7.2	13
<b>DCL S-4F</b>	29.1	2	14.5	5.4	8.1	14.5

\* DCL S-3F clamp is for flat type holders only.

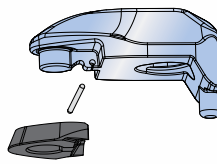
## New clamp for multifunction



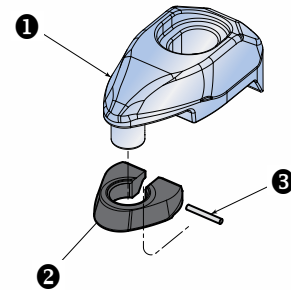
DCL S-4H



DCL S-4D



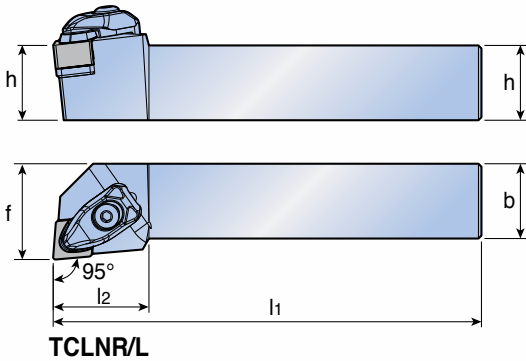
DCL S-4F



Clamp	Designation	Components			Insert	Shim
		① Clamp	② CTC plate	③ PIN		
	DCL S-4H	DCL 4H	DCL 4-PL	PIN 0683	CN...A 1204	TSC 44
					DN...A 1504	TSD 44
					DN...A 1506	TSD 43
					SN...A 1204	TSS 44
	DCL S-4D	DCL 4D	DCL 4-PL	PIN 0683	CN...X 1207 CH	TSC 42
					DN...X 1507 CH	TSD 42
					SN...X 1207 CHX	TSS 42
					CN...N 1204	TSC 44
	DCL S-4F	DCL 4F	DCL 4-PL	PIN 0683	CN...N 1207	TSC 42
					DN...N 1504	TSD 44
					DN...N 1507	TSD 42
					SN...N 1204	TSS 44
					SN...N 1207	TSS 42

# TCLNR/L-F

## Ceramic T-holder



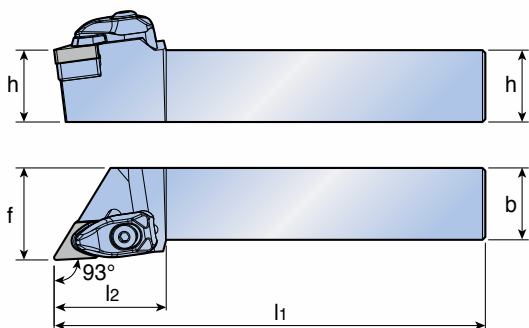
Approach angle	Designation	Dimension (mm)					Insert	
		h	b	l <sub>1</sub>	l <sub>2</sub>	f		
95°	TCLNR/L	2525 M0903-F	25	25	150	25	32	CN...N 0903...
		2020 K1204-F	20	20	125	32	25	CN...N 1204...
		2525 M1204-F	25	25	150	32	32	
		3232 P1204-F	32	32	170	32	40	
		2020 K1207-F	20	20	125	32	25	CN...N 1207...
		2525 M1207-F	25	25	150	32	32	
		3232 P1207-F	32	32	170	32	40	

### Spare parts

Designation	Clamp	Clamp screw	Shim	Shim screw	Spring	Wrench		
...0903	DCL S-3F	DLS 3	LSC 32	SO 40085I	DSP 3	L-W 2.5		
...1204	DCL S-4F	DLS 4	TSC 44	SO 40050I	DSP 4	L-W 3		
...1207	DCL S-4F	DLS 4	TSC 42	SO 40050I	DSP 4	L-W 3		

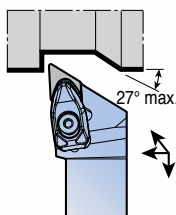
# TDJNR/L-F

## Ceramic T-holder



TDJNR/L

Approach angle	Designation	Dimension (mm)					Insert
		h	b	l <sub>1</sub>	l <sub>2</sub>	f	
93°	<b>TDJNR/L 2525 M1504-F</b>	25	25	150	39	32	DN...N 1504...
	<b>3232 P1504-F</b>	32	32	170	39	40	
	<b>2525 M1507-F</b>	25	25	150	39	32	DN...N 1507...
	<b>3232 P1507-F</b>	32	32	170	39	40	



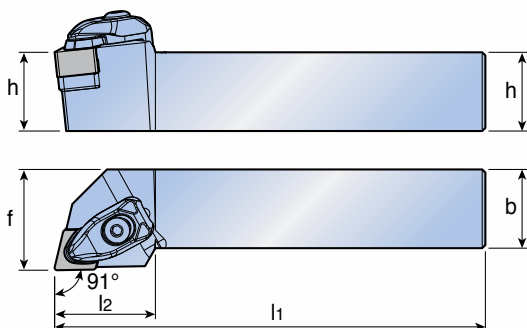
### Spare parts

Designation	Clamp	Clamp screw	Shim	Shim screw	Spring	Wrench		
...1504	DCL S-4F	DLS 4	TSD 44	SO 40050I	DSP 4	L-W 3		
...1507	DCL S-4F	DLS 4	TSD 42	SO 40050I	DSP 4	L-W 3		



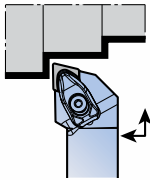
# TEGNR/L-F

## Ceramic T-holder



TEGNR/L

Approach angle	Designation	Dimension (mm)					Insert
		h	b	l <sub>1</sub>	l <sub>2</sub>	f	
91°	TEGNR/L 2525 M1307-F	25	25	150	32	32	EN...N 1307...

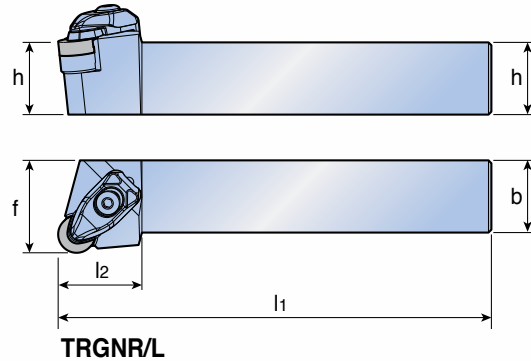
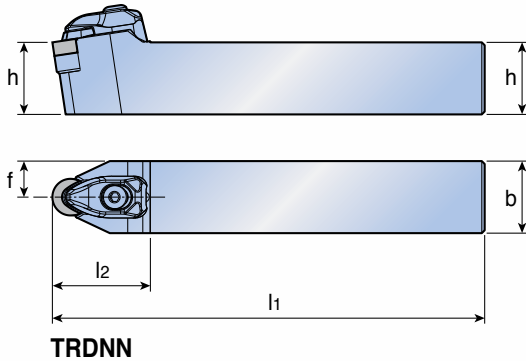


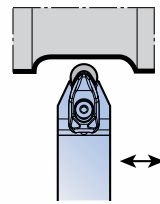
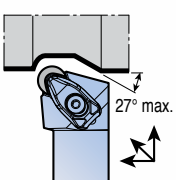
### Spare parts

Designation	Clamp	Clamp screw	Shim	Shim screw	Spring	Wrench		
...1307	 DCL S-4F	 DLS 4	 E 43	 BH M5x0.8x10	 DSP 4	 L-W 3		

# TRDNN-F TRGNR/L-F






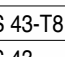
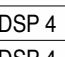
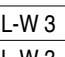




## Ceramic T-holder



Approach angle	Designation	Dimension (mm)					Insert	
		h	b	l <sub>1</sub>	l <sub>2</sub>	f		
<b>45°</b> 	<b>TRDNN</b>	<b>2525 M1203-F</b>	25	25	150	34	10	RN...N 1203...
		<b>2020 K1204-F</b>	20	20	125	34	10	RN...N 1204...
		<b>2525 M1204-F</b>	25	25	150	34	12.5	
		<b>2020 K1207-F</b>	20	20	125	34	10	RN...N 1207...
		<b>2525 M1207-F</b>	25	25	150	34	12.5	
		<b>3225 P1207-F</b>	32	25	170	34	12.5	
<b>90°</b> 	<b>TRGNR/L</b>	<b>2020 K1204-F</b>	20	20	125	29	25	RN...N 1204...
		<b>2525 M1204-F</b>	25	25	150	29	32	
		<b>2020 K1207-F</b>	20	20	125	29	25	RN...N 1207...
		<b>2525 M1207-F</b>	25	25	150	29	32	
		<b>3225 P1207-F</b>	32	25	170	29	32	

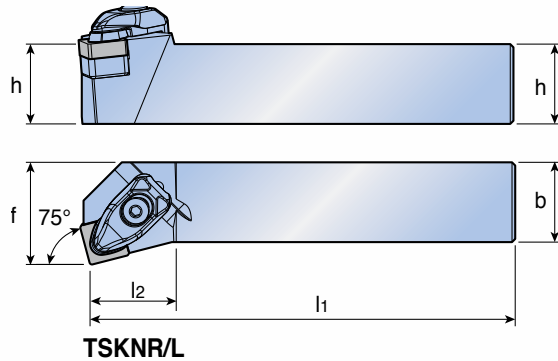
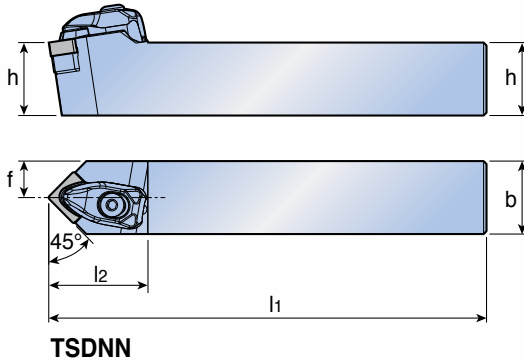
\*RN...N 1204/1207 are interchangeable, RN...N 1203 is not interchangeable with the same holder.

### Spare parts

Designation	Clamp	Clamp screw	Shim	Shim screw	Spring	Wrench		
<b>...1203</b>	 DCL S-4F	 DLS 4	 S 43	 BH M5x0.8x8	 DSP 4	 L-W 3		
<b>...1204</b>	 DCL S-4F	 DLS 4	 S 43-T8	 BH M5x0.8x10	 DSP 4	 L-W 3		
<b>...1207</b>	 DCL S-4F	 DLS 4	 S 43	 BH M5x0.8x8	 DSP 4	 L-W 3		

# TSDNN-F TSKNR/L-F

## Ceramic T-holder



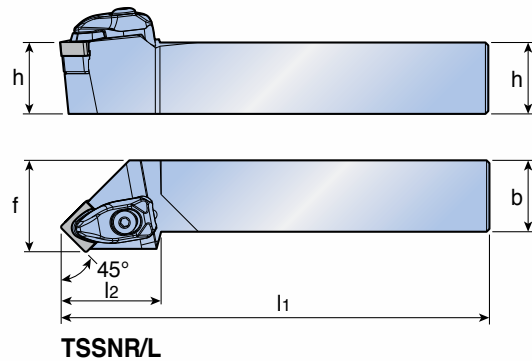
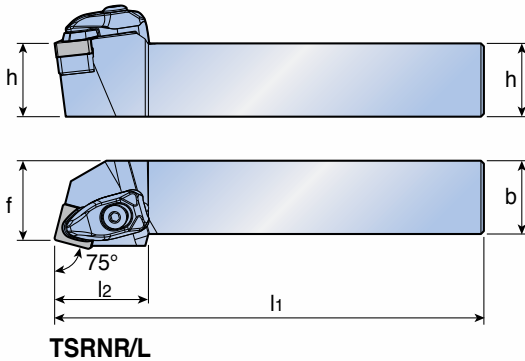
Approach angle	Designation	Dimension (mm)					Insert	
		h	b	l <sub>1</sub>	l <sub>2</sub>	f		
<p>45°</p>	<b>TSDNN</b>	<b>2525 M0903-F</b>	25	25	150	28	12.5	SN...N 0903...
		<b>2020 K1204-F</b>	20	20	125	34	10	SN...N 1204...
		<b>2525 M1204-F</b>	25	25	150	34	12.5	SN...N 1207...
		<b>2525 M1207-F</b>	25	25	150	34	12.5	
		<b>3225 P1207-F</b>	32	25	170	34	12.5	
				<b>3232 P1207-F</b>	32	32	170	34
<p>75°</p>	<b>TSKNR/L</b>	<b>2525 M1204-F</b>	25	25	150	27	32	SN...N 1204...
		<b>3232 P1204-F</b>	32	32	170	27	40	SN...N 1207...
		<b>2525 M1207-F</b>	25	25	150	27	32	
		<b>3232 P1207-F</b>	32	32	170	27	40	

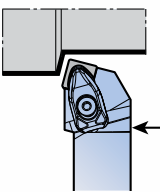
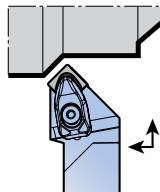
### Spare parts

Designation	Clamp	Clamp screw	Shim	Shim screw	Spring	Wrench		
...0903	DCL S-3F	DLS 3	LSS 32	SO 40085I	DSP 3	L-W 2.5		
...1204	DCL S-4F	DLS 4	TSS 44	SO 40050I	DSP 4	L-W 3		
...1207	DCL S-4F	DLS 4	TSS 42	SO 40050I	DSP 4	L-W 3		



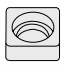



# TSRNR/L-F TSSNR/L-F

## Ceramic T-holder



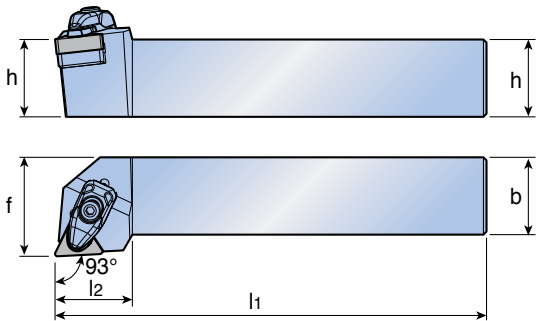
Approach angle	Designation	Dimension (mm)					Insert
		h	b	l <sub>1</sub>	l <sub>2</sub>	f	
75° 	<b>TSRNR/L</b> 2525 M1204-F	25	25	150	32	27	SN...N 1204...
	3232 P1204-F	32	32	170	32	35	
	2525 M1207-F	25	25	150	32	27	SN...N 1207...
	3225 P1207-F	32	25	170	32	27	
	3232 P1207-F	32	32	170	32	35	
45° 	<b>TSSNR/L</b> 2525 M1204-F	25	25	150	35	32	SN...N 1204...
	3232 P1204-F	32	32	170	35	40	
	2525 M1207-F	25	25	150	35	32	SN...N 1207...
	3232 P1207-F	32	32	170	35	40	

### Spare parts

Designation	Clamp 	Clamp screw 	Shim 	Shim screw 	Spring 	Wrench 		
...1204	DCL S-4F	DLS 4	TSS 44	SO 40050I	DSP 4	L-W 3		
...1207	DCL S-4F	DLS 4	TSS 42	SO 40050I	DSP 4	L-W 3		

# TTJNR/L-F

## Ceramic T-holder



TTJNR/L

Approach angle	Designation	Dimension (mm)					Insert	
		h	b	l <sub>1</sub>	l <sub>2</sub>	f		
93°	TTJNR/L	<b>2020 K1604-F</b>	20	20	125	25	25	TN...N 1604...
		<b>2525 M1604-F</b>	25	25	150	25	32	
		<b>2020 K1607-F</b>	20	20	125	25	25	TN...N 1607...
		<b>2525 M1607-F</b>	25	25	150	25	32	

\* TN...N 1604/1607 are not interchangeable with the same holder.

### Spare parts

Designation	Clamp	Clamp screw	Shim	Shim screw	Spring	Wrench		
...16	DCL S-3F	DLS 3	TST 33	SO 40050I	DSP 3	L-W 3		