

NPA

March 2016
www.taegutec.com



New Product Announcement No. 2016-04



QUAD-RUSH

New Double Ended Parting & Grooving Blades
for QUADRUSH Inserts

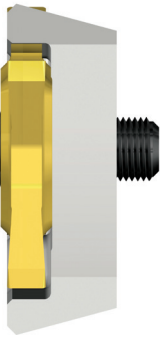


KEY POINT

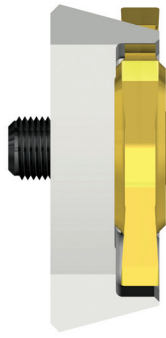
TaeguTec has introduced a new double ended blade, the TQBR/L-27, for QUADRUSH inserts. This addition facilitates market demand for the QUADRUSH line with a 27mm size insert for parting and grooving applications.

- Available in four different blade types.

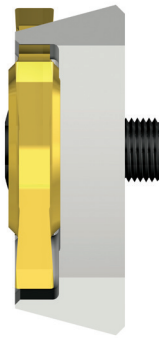
TQBR □□-27R



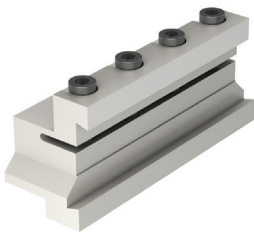
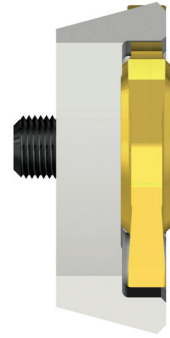
TQBR □□-27L



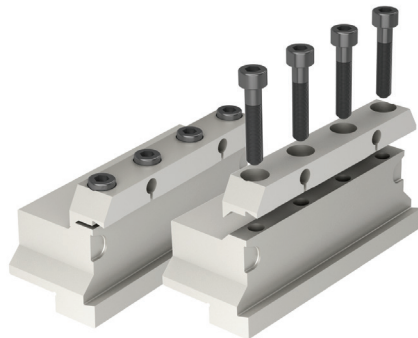
TQBL □□-27R



TQBL □□-27L



TTBN



TTBU

* Standard TTBN & TTBU blocks can be used for both right and left-handed tools.

Availability

In stock

Price

Available in the GAL system

Sincerely,
TaeguTec



Park Hong-sik
Non-Rotating Product Manager

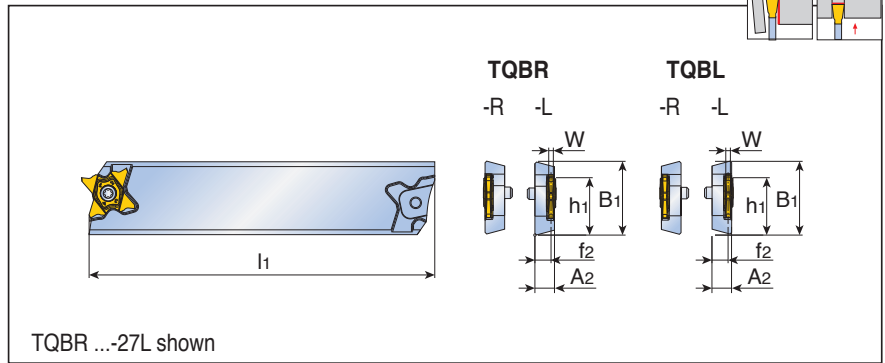
Sincerely,
TaeguTec



Cha Byung-jae
T-Clamp & Threading Product Manager

TQBR/L

Double ended parting and grooving blades for QUADURSH inserts



Designation	Dimension (mm)						Block	Insert
	B1	Wrange	l1	h1	A2	f2 *		
TQBR/L 26-27R	26	$0.5 \leq W < 5.3$	150	21.4	8.5	7	TTBN/U..-26	TQ.. 27
TQBR/L 26-27L	26	$0.5 \leq W < 5.3$	150	21.4	8.5	7	TTBN/U..-26	
TQBR/L 32-27R	32	$0.5 \leq W < 5.3$	150	24.9	8.5	7	TTBN/U..-32	
TQBR/L 32-27L	32	$0.5 \leq W < 5.3$	150	24.9	8.5	7	TTBN/U..-32	

* : To the center of inserts up to 3.2mm width

Spare parts

Designation	Screw	Wrench		
TQBR/L 26-27R	TS 50125I	T 10/20		
TQBR/L 26-27L	TS 50125IL	T 10/20		
TQBR/L 32-27R	TS 50125I	T 10/20		
TQBR/L 32-27L	TS 50125IL	T 10/20		